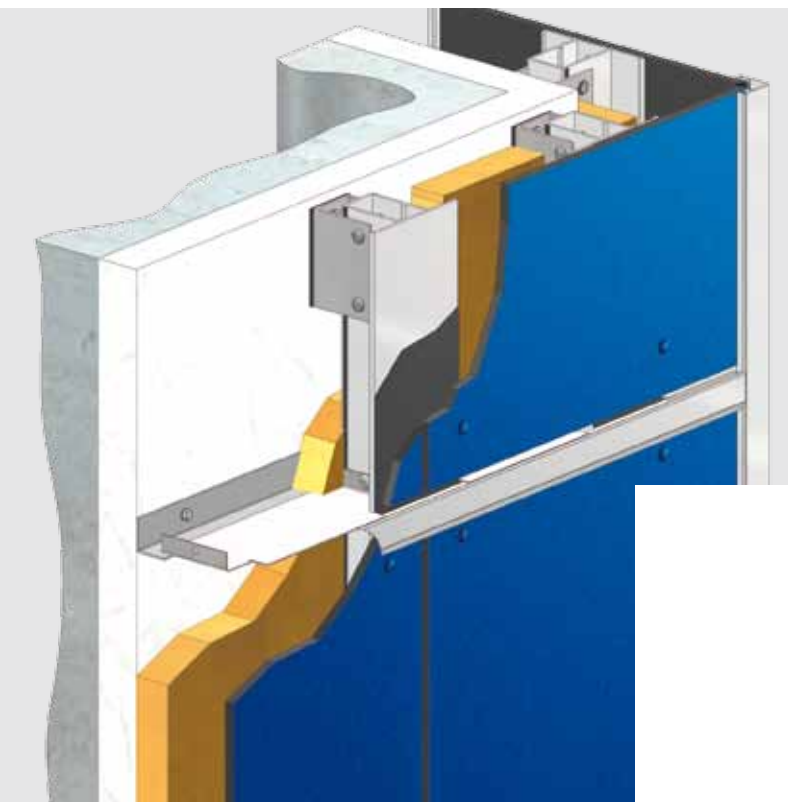


# SYSTEM 700 VISIBLE (EXPOSED) FIXING WITH RIVETS ON A SPECIFIC ALUMINIUM SUB-FRAME SPANNING FLOOR TO FLOOR

The system is individually designed and fabricated for each project, making it ideal for over cladding medium and high rise buildings.

Trespa® Meteon® panels with a minimum thickness of 8 mm may be fixed on an aluminium bracket and vertical box rail system offering floor to floor spanning characteristics.



> Smiths Point, Great Britain  
> PRP Architects

This document is intended to provide general recommendations only. Trespa provides these guidelines and all testing, code and design data for informational purposes only and strongly advises that the customer, project owner and architect seek independent advice from a certified construction professional and/or engineer regarding application and installation as well as compliance with design requirements, applicable codes, laws and regulations, and test standards. Please check your local codes and applicable design requirements for proper use.

# OVERVIEW OF AVAILABLE CERTIFICATES

The following overview provides you with a general and non-binding indication of certificates in relation to fixing System 700: visible (exposed) fixing with rivets on a specific aluminium sub-frame spanning floor to floor, commonly used by Trespa customers in specific countries. To consult full details of available certificates please visit [www.trespa.info/meteon/certificates](http://www.trespa.info/meteon/certificates)

Country	Country code	Commonly used	Certificate
Netherlands	NL		No certificate available.
Germany	DE		No certificate available.
Belgium	BE		No certificate available.
France	FR		No certificate available.
United Kingdom	UK	■	Agrément certificate Trespa Meteon System 700 wall cladding system (BBA)
Spain	ES		No certificate available.
Italy	IT		No certificate available.
China	CN		No certificate available.
Chili	CL		No certificate available.
Trespa Export Countries	Other		Not applicable, local certificates may apply.

# GENERAL INSTALLATION DETAILS

## Cavity depth and ventilation

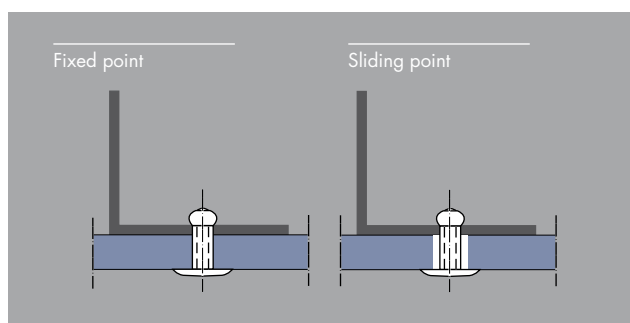
For a continuous ventilation behind the panel, Trespa recommends the free air cavity depth between the rainscreen cladding and the insulation or wall construction to be between 20 and 50 mm, in order to allow for ambient air to flow through from the ventilation inlets and outlets. Ventilation inlets and outlets must be the equivalent of minimum 50 square cm per linear meter over the whole façade. Cavity depth as well as ventilation inlets and outlets must be in accordance with applicable building standards, regulations and certificates.

## Sub-frame

Trespa® Meteon® panels must be installed on a sub-frame of sufficient strength and permanent durability. The sub-frame should be fully designed and fabricated in accordance with engineers specification as well as applicable building standards and regulations.

## Fixing detail

- Hole diameter for fixed point is 5.1 mm.
- Hole diameter for sliding point is 10 mm.
- To retain the panel position, each panel must have one fixed point in the centre of the panel.
- The rivet head should be 0.3 mm free from the panel surface by using a special tool (spacer nosepiece).



# OVERVIEW OF TECHNICAL INSTALLATION DETAILS

The following table gives a general overview of some of the most significant technical installation details in those countries where this fixing system is commonly used. For details of certification see: Overview of available certificates.

In certain countries specific certification requirements may apply. For countries in which a certificate for this fixing system is available, the following table presents a summary of the certificate. For countries in which no certificate for this fixing system may be available, the

information given in the following table only contains an advise as to the installation commonly used by Trespa customers, as based on Trespa's experience. For all countries Trespa strongly advises that the customer, project owner and architect seek independent advice from a construction professional regarding the accordance to national and/or local building regulations of fixing systems.

The information below does not contain all requirements with regard to the certificates. For design and installation, the complete certificate(s) must be considered. To consult these certificates, please visit [www.trespa.info/meteon/certificates](http://www.trespa.info/meteon/certificates)

## Panel thickness

Panel thickness (mm)	Country with certificate
8, 10, 13	UK

## Maximum panel dimension

Max. panel dimension (mm)	Country with certificate
3050 x 1530 or 2550 x 1860	UK

## Joint width

Joint width (mm)	Country with certificate
10	UK

## Edge clearance

Edge clearance (mm)	Country with certificate
Min. 20 mm and max. 10 x panel thickness	UK

## Recommended maximum fixing distances

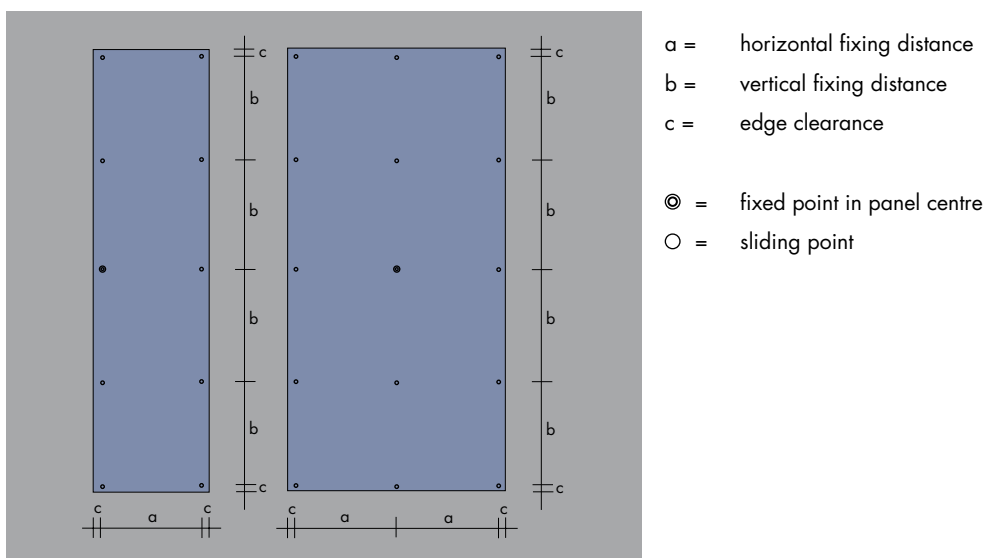
Maximum fixing distances <sup>A</sup> (mm)	Panel thickness (mm) for Satin / Rock			Panel thickness (mm) for Gloss <sup>B</sup>		Country with certificate
	8	10	13	10	13	
2 fixings in one direction	600	750	950	550	750	UK
3 or more fixings in one direction	750	900	1200	700	900	UK

<sup>A</sup> The maximum permitted fixing distances shown have been designed with a maximum (wind) load of 600 N/ m<sup>2</sup> and maximum deflection of L/200.

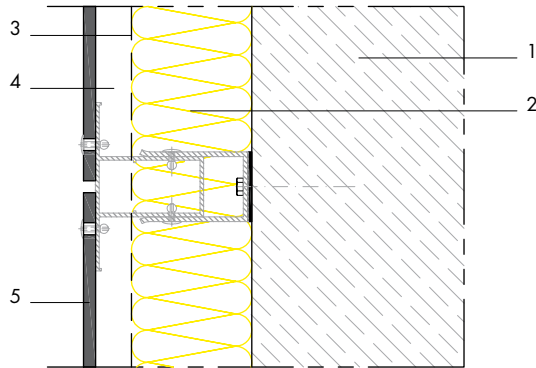
<sup>B</sup> Based on the surface properties of Gloss panels, fixing distances are reduced.

Fixing distances must be calculated in accordance with applicable local standards, regulations and certificates and should be verified by a structural engineer.

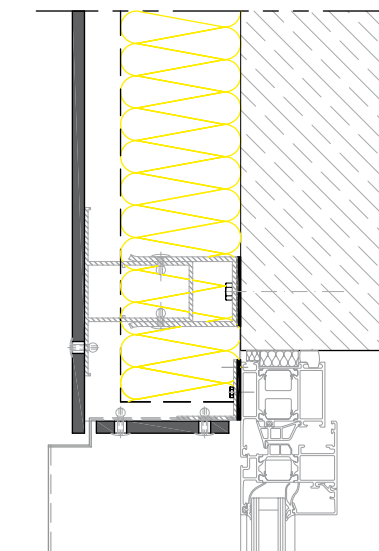
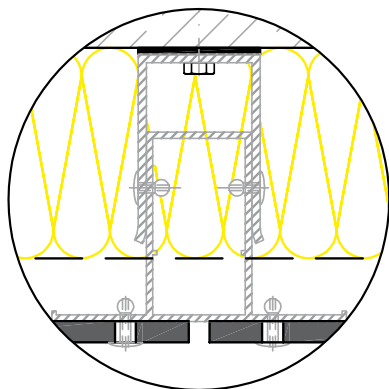
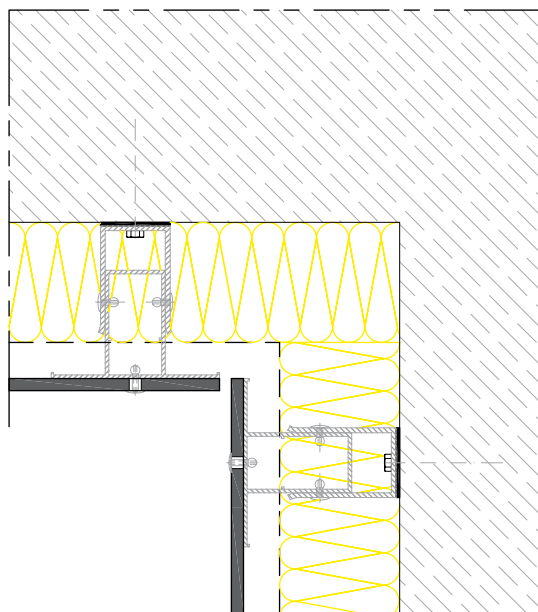
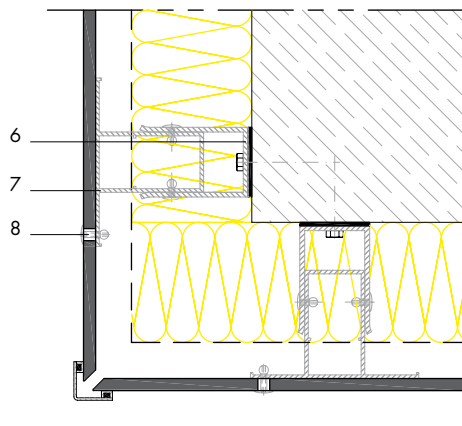
For more information about deflection and wind loads, please visit [www.trespa.info/meteor/fixingsystems](http://www.trespa.info/meteor/fixingsystems)



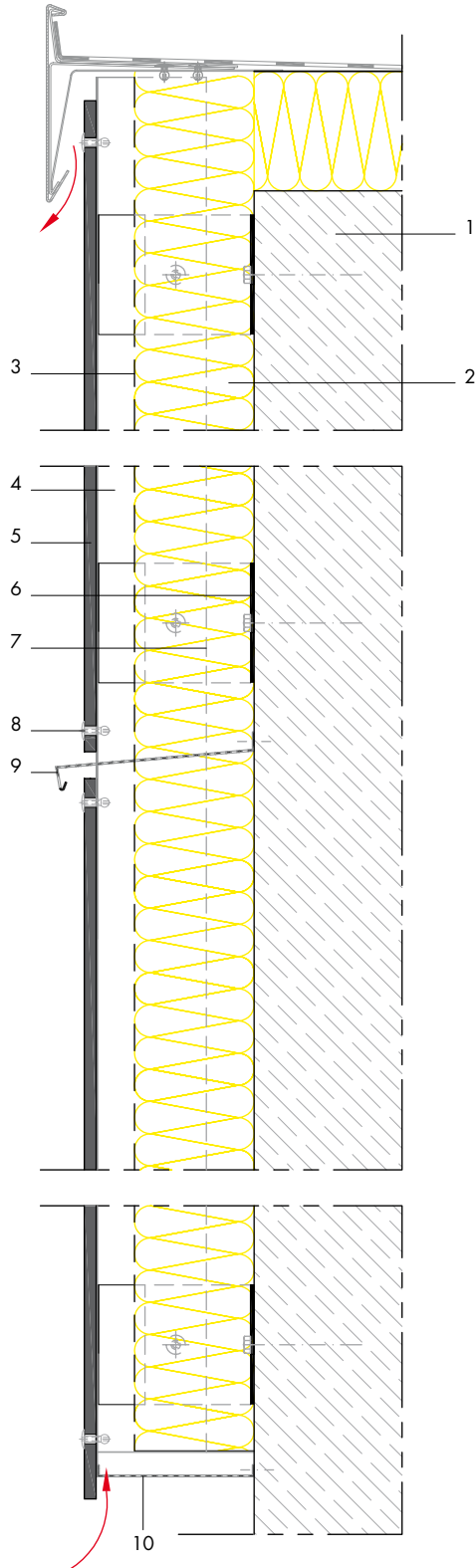
## Horizontal cross-section



1. Load bearing wall (concrete, masonry)
2. Thermal insulation
3. Weather barrier (vapour permeable)
4. Ventilated cavity
5. Trespa® Meteon® panel
6. Wall bracket (at floor level only)
7. Vertical aluminium box section rail
8. Aluminium panel rivet



## Vertical cross-section



1. Load bearing wall (concrete, masonry)
2. Thermal insulation
3. Weather barrier (vapour permeable)
4. Ventilated cavity
5. Trespa® Meteon® panel
6. Wall bracket (at floor level only)
7. Vertical aluminium box section rail
8. Aluminium panel rivet
9. Fire break
10. Ventilation profile

### **Disclaimer**

This is a print generated by you from [www.trespa.info](http://www.trespa.info) ("Website"). By accessing the Website and printing this document you have accepted the Terms of Use of the Website. Please refer to the Website for all conditions that apply to this document. Not all the systems shown in this document may be suitable for all applications and jurisdictions. We provide you with testing, code and design data for informational purposes only and strongly recommend that you or any other user of this document obtains independent advice regarding compliance with design requirements, applicable codes, laws and regulations, and test standards. Please check your local codes and design requirements for proper use. Trespa will not accept any liability in relation to your use of this document.

All intellectual property rights, including copyrights and other rights regarding the content of the Website and this print generated from the Website (including logos, trademarks, service marks, software, databases, audio, video, text and photographs) are owned by Trespa and/or its licensors. Trespa®, Meteon®, Athlon®, TopLab®, TopLab<sup>PLUS</sup>®, TopLab<sup>ECO-FIBRE</sup>®, Virtuon®, Volkern®, Trespa Essentials® and Mystic Metallics® are registered trademarks of Trespa.

All oral and written statements, offers, quotations, sales, supplies, deliveries and/or agreements and all related activities of Trespa are governed by the Trespa General Terms and Conditions of Sale (Algemene verkoopvoorwaarden Trespa International B.V.) filed with the Chamber of Commerce and Industry for Noord- en Midden- Limburg in Venlo (NL) on 11 April 2007 under number 24270677, which can be found on and downloaded from the Trespa website, [www.trespa.com](http://www.trespa.com).

All oral and written statements, offers, quotations, sales, supplies, deliveries and/or agreements and all related work of Trespa North America, Ltd. are governed by the Trespa General Terms and Conditions of Sale, which can be found on and downloaded from the Trespa North America Ltd. website, [www.trespa.com/na](http://www.trespa.com/na). A copy of these general conditions of sale will be provided free of charge on request.